

# 9-Port 10/100Mbps Switch with 8-Port Passive PoE ( 57W )

24V PoE, Total PoE power budget 57W, 6KV Anti-surge

## SF9P-PL



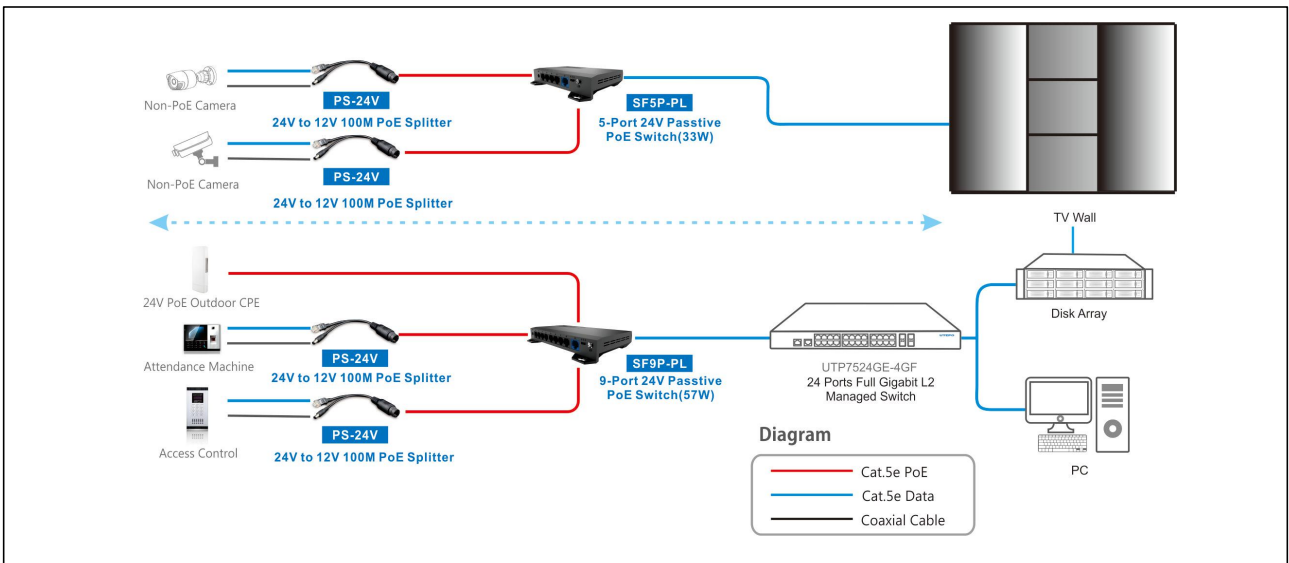
- 8\*10/100Base-TX Ethernet Ports (24V PoE) + 1\*10/100Base-TX Uplink Ethernet Port.
- Support passive PoE, the PoE power PIN assignment is 45(+), 78(-).
- Max PoE power of single port is 15W. Total PoE power budget is up to 57W.
- Support 3 working modes. Mode 1: Port 1-9 without PoE function. Mode 2: Port 1-7 with 24V PoE function, Port 8-9 without PoE function. Mode 3: Port 1-8 with 24V PoE function.
- Support 6KV surge immunity, 8KV ESD immunity and anti-interference function.
- Plug and play, no more configuration needed.



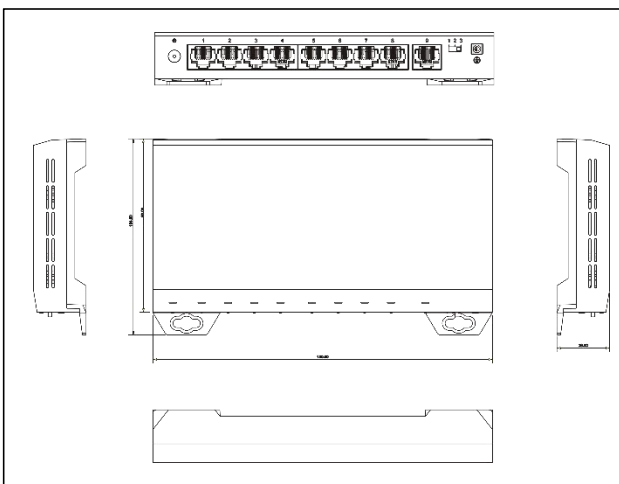
## OVERVIEW

SF9P-PL , 9-Port 10/100Mbps Switch with 8-Port Passive PoE , provides 8\*10/100Base-TX Ethernet Ports (24V PoE) + 1\*10/100Base-TX Uplink Ethernet Port. The total PoE power budget is 57W. The SF5P-PL supports 3 working modes (Mode 1: Port 1-9 without PoE function. Mode 2: Port 1-7 with 24V PoE function, Port 8-9 without PoE function. Mode 3: Port 1-8 with 24V PoE function.) And it is widely used in security video monitoring and network engineering etc.

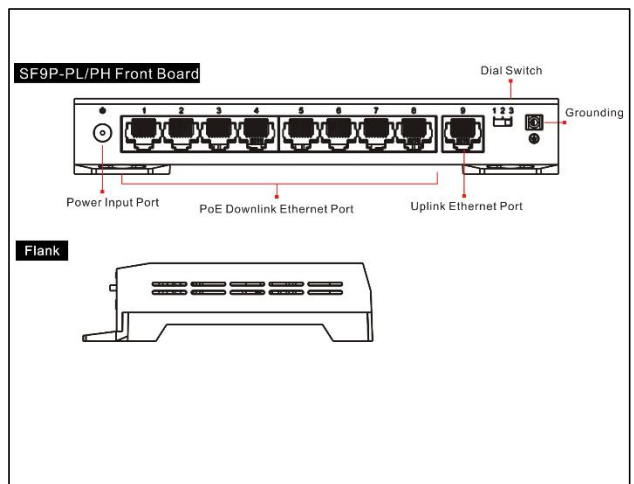
## APPLICATION



## DIMENSION



## PORT DETAILS



**SPECIFICATION**

<b>Model</b>	<b>SF9P-PL</b>
Downlink Port	8*10/100Base-TX Ethernet Ports (Passive PoE)
Uplink Port	1*10/100Base-T Ethernet Port
Network Standard	IEEE802.3, IEEE802.3u, IEEE802.3X
Switch Fabric	1.8Gbps
Packet Forwarding Rate	1.34Mpps
Interface Buffer	768Kbits
MAC Address	1K
Working Mode	Mode 1: Port 1-9 without PoE function. Mode 2: Port 1-7 with 24V PoE function, Port 8-9 without PoE function. Mode 3: Port 1-8 with 24V PoE function.
PoE Standard	Passive PoE
PoE Power Pin Assignment	4/5(+), 7/8(-)
PoE Power Output	PoE power output for single port ≤15W (24V DC). Total PoE power budget≤57W
Surge Immunity	6KV, IEC61000-4-5
ESD Immunity	Contact discharge 6KV, air discharge 8KV. IEC61000-4-2
Input Power	DC 24V2.5A, 60W External power adaptor
Power Consumption	<3W
Operating Temperature	-10°C~55°C
Storage Temperature	-40°C~85°C
Operating Humidity	5%-95% (Non-condensing)
Dimension (L*W*H)	140*104*28mm (L*W*H)
Certification	CE, FCC, RoHS

**PACKING LIST**

ITEM	QTY
Ethernet Switch	1 pc
Power Adaptor	1 pc
User Manual	1 pc

**RELATED PRODUCTS**

NAME	MODEL
33W 5-Port 100M 24V Passive PoE Switch with 4-Port PoE	<b>SF05P-PL</b>
93W 8-Port 100M 24V Passive PoE Switch with 4-Port PoE	<b>SF09P-PH</b>